



OCTOBER 8, 2007 : DATE
VIDEO TIP 6 : FROM
SLIDING TABLE FENCE : JIG

Attach a long, straight piece of hardwood to the Shopsmith Sliding Table (555535)* and this dead-simple auxiliary fence will provide a mount for a T-track, a flip stop, and a magnetic rule. These will allow you to measure your work on the table and duplicate precise board lengths.

WOODEN PARTS

Auxiliary Fence 1-3/16" x 2-13/16" x 36"

HARDWARE

- 24" T-Track and Flip Stop (555808)*
- #10 x 3/4" Roundhead wood screws (3 required)
- #8 x 3/4" Flathead woods screws (3 required)
- 1/16" x 1/2" x 36" Self-adhesive magnetic strip†
- 38" Magnetic Scale (522269)*

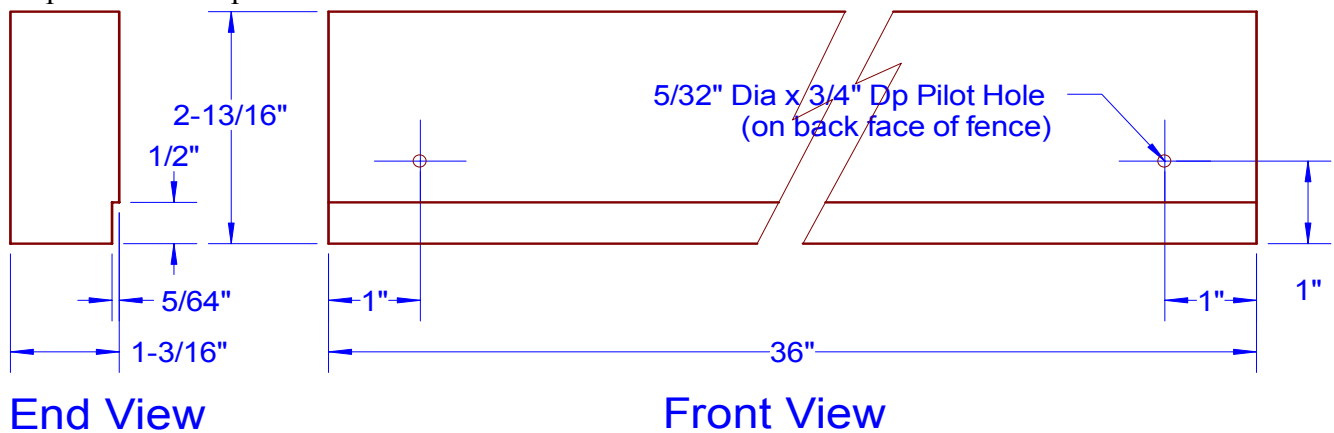


*These parts are available from Shopsmith, Inc.

†Approximate dimensions of flexible magnetic tapes commonly found in hardware stores. If the tape you choose is slightly different, you will have to adjust the dimensions of the rabbet in the auxiliary fence.

PROCEDURE

1. Cut the fence stock 4" longer and about 1/8" wider and thicker than the dimensions shown above. This will give you some extra stock to plane and joint, and extra to cut from the ends should the planer leave a snipe.
2. Joint two adjacent sides of the fence stock precisely 90 degrees from one another.
3. Plane the thickness of the stock to 1-3/16" and the width to 2-13/16".
4. Rout or cut a rabbet in one face of the fence, 1/2" wide and 5/64" deep. If your magnetic strip is a different size from what is shown, make the rabbet exactly as wide as the strip and its thickness plus 1/64" deep.



End View

Front View

5. Sand and finish the fence. A finish helps keep the wood stable.
6. Adhere the magnetic strip in the rabbet.
7. Attach the auxiliary wooden fence to the aluminum fence of the Sliding Table with roundhead screws. The rabbet and magnetic strip should be at the bottom of the fence facing out.

Sliding Table Auxiliary Fence, cont.

8. Attach the T-track to the top surface of the wooden fence with flathead wood screws. Counterbore the screw holes so the heads will be flush with or slightly below the surface of the T-track. **Note:** The T-track is only 24" long, while the auxiliary fence is 36" long. Instead of purchasing a second T-track, cutting it to length, and aligning it with the first, I opted simply to drill two sets of mounting holes so I could move the track from one end of the fence to the other.
9. Snip the Magnetic Scale at 1/8" and 36" and stick it to the magnetic strip. The numbers will be upside down, but you'll find them easier to read since most of the time you're leaning over the fence. **Note:** The strip must be aligned to the *closest* sides of the saw teeth. I use the rule from a combination square to make this alignment because it's exactly 1" wide. Put one edge of the rule against two saw teeth (on opposite sides of the saw blade) and align the 1" mark on the Magnetic Scale with the other edge.

